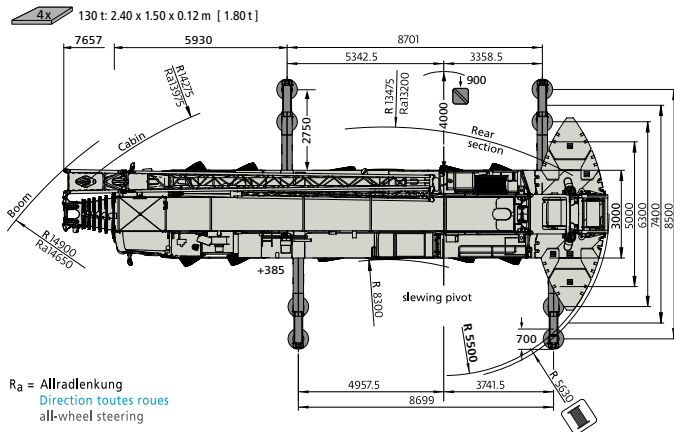
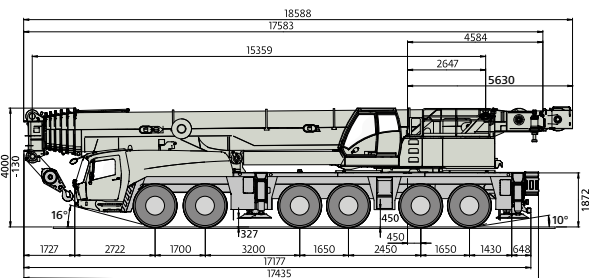


**GROVE GMK 6300L-1**

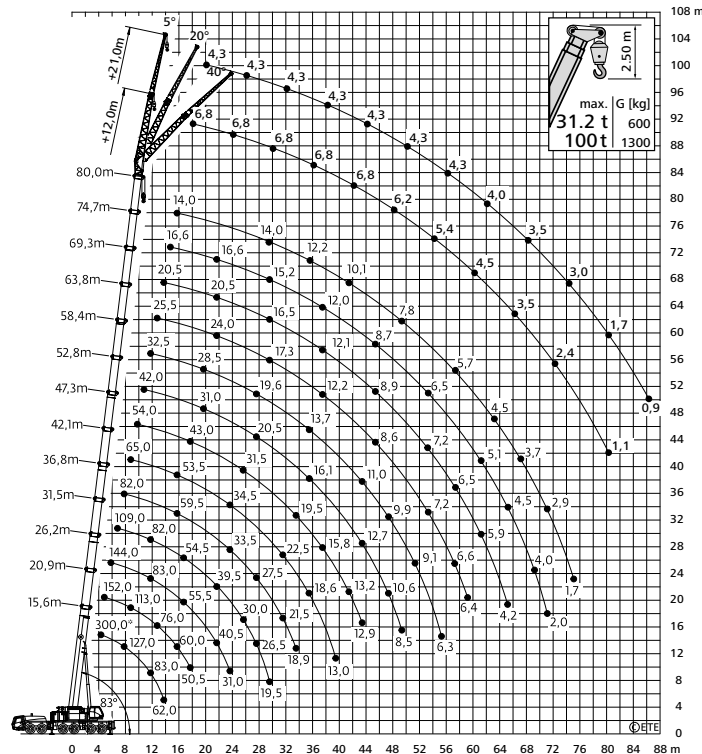
**806**

|  |              |  |                 |  |         |  |
|--|--------------|--|-----------------|--|---------|--|
|  | max. 80,0 m  |  | 6 x 12 t = 72 t |  | 12 x 6  |  |
|  | max. 101,0 m |  | 85 km/h         |  | 12 x 12 |  |

|  |           |  |           |  |                   |  |            |  |      |  |    |  |        |
|--|-----------|--|-----------|--|-------------------|--|------------|--|------|--|----|--|--------|
|  | 15,6-80,0 |  | 12,0/21,0 |  | Grove GMK 6300L-1 |  | 2 x 10,4 t |  | 360° |  | EN |  | 92,5 t |
|--|-----------|--|-----------|--|-------------------|--|------------|--|------|--|----|--|--------|



R<sub>a</sub> = Allradlenkung  
Direction toutes roues  
all-wheel steering



| m    | Grove GMK 6300L-1 |      |      |      |      |      |      |      |      |      |      |      |      |
|------|-------------------|------|------|------|------|------|------|------|------|------|------|------|------|
|      | 15,6              | 20,9 | 26,2 | 31,5 | 36,8 | 42,1 | 47,3 | 52,8 | 58,4 | 63,8 | 69,3 | 74,7 | 80,0 |
| 6,0  | 91,0              | 82,0 | 75,5 | 71,0 | 63,5 |      |      |      |      |      |      |      |      |
| 8,0  | 50,0              | 53,0 | 50,5 | 49,0 | 45,5 | 41,0 | 37,0 |      |      |      |      |      |      |
| 10,0 | 30,0              | 34,5 | 36,5 | 35,0 | 32,5 | 32,0 | 29,5 | 26,5 | 25,5 |      |      |      |      |
| 12,0 | 19,7              | 24,0 | 26,5 | 26,0 | 26,5 | 25,0 | 23,5 | 23,0 | 21,5 | 19,8 | 18,1 |      |      |
| 14,0 |                   | 17,3 | 19,5 | 21,5 | 20,5 | 20,5 | 19,4 | 18,3 | 16,9 | 15,5 | 14,1 | 12,5 | 10,8 |
| 16,0 |                   | 12,6 | 15,0 | 16,7 | 16,6 | 16,3 | 15,5 | 14,6 | 13,4 | 12,2 | 11,0 | 9,6  | 8,1  |
| 18,0 |                   |      | 11,4 | 13,1 | 13,4 | 13,2 | 12,6 | 11,8 | 10,8 | 9,8  | 8,7  | 7,4  | 6,0  |
| 20,0 |                   |      | 8,8  | 10,4 | 10,9 | 10,8 | 10,3 | 9,6  | 8,7  | 7,8  | 6,8  | 5,6  | 4,3  |
| 22,0 |                   |      | 6,7  | 8,2  | 8,8  | 8,9  | 8,4  | 7,9  | 7,0  | 6,2  | 5,2  | 4,2  | 2,9  |
| 24,0 |                   |      |      | 6,5  | 7,0  | 7,3  | 6,9  | 6,4  | 5,6  | 4,8  | 4,0  | 2,9  | 1,8  |
| 26,0 |                   |      |      | 5,1  | 5,6  | 5,9  | 5,7  | 5,2  | 4,4  | 3,7  | 2,9  | 1,9  |      |
| 28,0 |                   |      |      | 3,9  | 4,4  | 4,7  | 4,6  | 4,2  | 3,4  | 2,7  | 1,9  |      |      |
| 30,0 |                   |      |      |      | 3,4  | 3,7  | 3,7  | 3,3  | 2,6  | 1,9  |      |      |      |
| 32,0 |                   |      |      |      | 2,6  | 2,9  | 2,8  | 2,5  | 1,8  |      |      |      |      |
| 34,0 |                   |      |      |      |      | 2,2  | 2,1  | 1,8  |      |      |      |      |      |
| 6,0  | 77,0              | 72,0 | 66,5 | 60,5 | 57,5 |      |      |      |      |      |      |      |      |
| 8,0  | 39,0              | 43,0 | 43,0 | 40,5 | 37,0 | 36,0 | 32,5 |      |      |      |      |      |      |
| 10,0 | 22,5              | 27,5 | 29,5 | 28,0 | 28,0 | 27,0 | 25,5 | 23,5 | 21,5 |      |      |      |      |
| 12,0 | 13,8              | 18,4 | 21,0 | 21,5 | 20,5 | 20,0 | 18,8 | 17,6 | 16,0 | 14,5 | 13,0 |      |      |
| 14,0 |                   | 12,6 | 15,1 | 15,9 | 15,6 | 15,2 | 14,4 | 13,4 | 12,2 | 10,9 | 9,6  |      |      |
| 16,0 |                   | 8,6  | 11,0 | 12,2 | 12,0 | 11,8 | 11,2 | 10,4 | 9,4  | 8,3  | 7,2  |      |      |
| 18,0 |                   |      | 8,0  | 9,4  | 9,4  | 9,3  | 8,8  | 8,1  | 7,2  | 6,2  | 5,2  |      |      |
| 20,0 |                   |      | 5,7  | 7,2  | 7,3  | 7,3  | 6,9  | 6,3  | 5,5  | 4,6  | 3,7  |      |      |
| 22,0 |                   |      | 3,9  | 5,3  | 5,3  | 5,7  | 5,4  | 4,9  | 4,1  | 3,3  | 2,4  |      |      |
| 24,0 |                   |      |      | 3,9  | 4,4  | 4,4  | 4,1  | 3,7  | 2,9  | 2,2  | 1,4  |      |      |
| 26,0 |                   |      |      | 2,7  | 3,2  | 3,4  | 3,1  | 2,7  | 2,0  | 1,3  |      |      |      |
| 28,0 |                   |      |      | 1,8  | 2,2  | 2,5  | 2,2  | 1,8  |      |      |      |      |      |

| m    | Grove GMK 6300L-1 |       |      |      |      |      |      |      |      |      |      |      |      |
|------|-------------------|-------|------|------|------|------|------|------|------|------|------|------|------|
|      | 15,6              | 20,9  | 26,2 | 31,5 | 36,8 | 42,1 | 47,3 | 52,8 | 58,4 | 63,8 | 69,3 | 74,7 | 80,0 |
| 6,0  | 115,0             | 108,0 | 96,0 | 85,5 | 80,0 |      |      |      |      |      |      |      |      |
| 8,0  | 73,0              | 71,0  | 65,0 | 63,0 | 58,0 | 54,0 | 51,5 |      |      |      |      |      |      |
| 10,0 | 46,5              | 50,5  | 49,0 | 46,0 | 45,5 | 42,5 | 38,5 | 35,0 | 32,5 |      |      |      |      |
| 12,0 | 32,0              | 36,0  | 37,5 | 38,0 | 35,5 | 33,0 | 30,5 | 30,0 | 27,0 | 24,5 | 20,5 |      |      |
| 14,0 |                   | 27,0  | 29,5 | 30,0 | 28,5 | 26,0 | 26,5 | 24,0 | 24,0 | 22,0 | 19,8 | 16,6 | 14,0 |
| 16,0 |                   | 21,0  | 23,0 | 24,0 | 23,0 | 23,5 | 21,5 | 19,6 | 20,5 | 20,0 | 18,7 | 16,4 | 14,0 |
| 18,0 |                   |       | 18,5 | 19,2 | 20,0 | 19,7 | 18,1 | 17,8 | 18,0 | 16,8 | 15,6 | 14,3 | 12,8 |
| 20,0 |                   |       | 15,0 | 16,5 | 17,1 | 16,7 | 15,2 | 16,3 | 15,3 | 14,2 | 13,2 | 11,9 | 10,6 |
| 22,0 |                   |       | 12,5 | 14,0 | 14,3 | 14,9 | 13,8 | 14,0 | 13,1 | 12,1 | 11,1 | 10,0 | 8,7  |
| 26,0 |                   |       |      | 9,9  | 10,4 | 10,8 | 10,7 | 10,5 | 9,7  | 8,9  | 8,0  | 6,9  | 5,7  |
| 30,0 |                   |       |      |      | 7,5  | 7,8  | 7,8  | 7,6  | 7,1  | 6,4  | 5,6  | 4,6  | 3,5  |
| 34,0 |                   |       |      |      |      | 5,7  | 5,6  | 5,5  | 5,0  | 4,5  | 3,7  | 2,8  | 1,8  |
| 38,0 |                   |       |      |      |      | 4,1  | 4,0  | 3,8  | 3,3  | 2,9  | 2,3  | 1,4  |      |
| 42,0 |                   |       |      |      |      |      | 2,7  | 2,5  | 2,0  | 1,6  |      |      |      |
| 44,0 |                   |       |      |      |      |      |      | 2,0  | 1,5  |      |      |      |      |
| 6,0  | 111,0             | 99,0  | 88,0 | 82,0 | 73,0 |      |      |      |      |      |      |      |      |
| 8,0  | 65,5              | 65,0  | 62,0 | 57,5 | 53,0 |      | 51,5 | 47,0 |      |      |      |      |      |
| 10,0 | 41,0              | 45,0  | 44,5 | 43,5 | 41,5 | 38,5 | 34,5 | 34,0 | 29,0 |      |      |      |      |
| 12,0 | 28,0              | 31,5  | 35,0 | 34,0 | 32,0 | 29,5 | 29,5 | 26,5 | 26,5 | 23,5 | 20,5 |      |      |
| 14,0 |                   | 24,0  | 26,0 | 27,0 | 25,0 | 25,5 | 23,5 | 22,0 | 22,5 | 21,0 | 19,6 | 16,4 | 14,0 |
| 16,0 |                   | 18,3  | 20,5 | 21,0 | 22,0 | 21,0 | 19,1 | 19,6 | 18,9 | 17,6 | 16,3 | 14,9 | 13,3 |
| 18,0 |                   |       | 16,1 | 17,9 | 18,3 | 18,0 | 16,7 | 16,9 | 15,8 | 14,7 | 13,5 | 12,2 | 10,7 |
| 20,0 |                   |       | 13,1 | 14,7 | 15,0 | 15,6 | 15,0 | 14,3 | 13,3 | 12,3 | 11,2 | 10,0 | 8,6  |
| 22,0 |                   |       | 10,5 | 12,1 | 12,6 | 13,0 | 12,8 | 12,1 | 11,2 | 10,3 | 9,3  | 8,1  | 6,8  |
| 26,0 |                   |       |      | 8,3  | 8,8  | 9,2  | 9,1  | 8,8  | 8,0  | 7,2  | 6,3  | 5,2  | 4,1  |
| 30,0 |                   |       |      |      | 6,1  | 6,5  | 6,4  | 6,3  | 5,6  | 4,9  | 4,1  | 3,2  | 2,0  |
| 34,0 |                   |       |      |      |      | 4,5  | 4,4  | 4,3  | 3,8  | 3,2  | 2,4  | 1,5  |      |
| 38,0 |                   |       |      |      |      | 3,0  | 2,9  | 2,8  | 2,3  | 1,8  |      |      |      |
| 42,0 |                   |       |      |      |      |      | 1,8  | 1,6  |      |      |      |      |      |



| m    | 15,6 - 80,0 |       |       |       | Grove GMK 6300L-1 |      |      |      | 360° | EN   | 8,5m | 45 t |      |      |      |
|------|-------------|-------|-------|-------|-------------------|------|------|------|------|------|------|------|------|------|------|
|      | 15,6        | 20,9  | 26,2  | 31,5  | 36,8              | 42,1 | 47,3 | 52,8 |      |      |      |      | 58,4 | 63,8 | 69,3 |
| 6,0  | 119,0       | 119,0 | 118,0 | 109,0 | 82,0              |      |      |      |      |      |      |      |      |      |      |
| 7,0  | 105,0       | 106,0 | 105,0 | 99,0  | 82,0              | 65,0 |      |      |      |      |      |      |      |      |      |
| 8,0  | 94,0        | 94,5  | 90,5  | 82,5  | 79,0              | 65,0 | 54,0 |      |      |      |      |      |      |      |      |
| 9,0  | 82,0        | 82,5  | 77,5  | 73,5  | 68,5              | 65,0 | 52,5 | 42,0 |      |      |      |      |      |      |      |
| 10,0 | 72,0        | 72,5  | 68,5  | 64,0  | 62,5              | 58,0 | 51,5 | 42,0 | 32,5 |      |      |      |      |      |      |
| 11,0 | 60,5        | 62,5  | 60,0  | 56,5  | 55,0              | 51,0 | 50,5 | 42,0 | 32,5 | 25,5 |      |      |      |      |      |
| 12,0 | 51,5        | 54,0  | 53,0  | 52,5  | 49,0              | 45,5 | 45,5 | 41,0 | 32,5 | 25,5 | 20,5 |      |      |      |      |
| 14,0 |             | 42,0  | 41,5  | 42,5  | 40,0              | 40,0 | 37,0 | 34,5 | 32,5 | 25,5 | 20,5 | 16,6 | 14,0 |      |      |
| 16,0 |             | 33,5  | 34,5  | 34,5  | 35,0              | 33,5 | 31,0 | 28,5 | 27,5 | 25,5 | 20,5 | 16,6 | 14,0 |      |      |
| 18,0 |             |       | 28,5  | 28,5  | 30,0              | 28,5 | 26,5 | 25,0 | 23,0 | 22,5 | 20,5 | 16,6 | 14,0 |      |      |
| 20,0 |             |       | 24,5  | 25,5  | 25,0              | 24,5 | 22,5 | 23,0 | 20,5 | 19,3 | 19,3 | 16,6 | 14,0 |      |      |
| 22,0 |             |       | 21,0  | 21,5  | 21,5              | 20,5 | 20,5 | 20,0 | 19,0 | 16,8 | 16,8 | 16,6 | 14,0 |      |      |
| 24,0 |             |       |       | 18,7  | 18,5              | 17,8 | 18,8 | 17,5 | 17,8 | 15,7 | 15,9 | 15,7 | 14,0 |      |      |
| 26,0 |             |       |       | 16,2  | 16,0              | 16,8 | 16,4 | 15,3 | 15,7 | 14,7 | 15,0 | 14,2 | 13,0 |      |      |
| 28,0 |             |       |       | 14,2  | 14,3              | 15,0 | 14,3 | 13,2 | 13,9 | 13,7 | 13,6 | 12,6 | 11,4 |      |      |
| 30,0 |             |       |       |       | 13,6              | 13,2 | 12,5 | 11,5 | 12,1 | 12,7 | 12,1 | 11,1 | 9,9  |      |      |
| 32,0 |             |       |       |       | 12,1              | 11,7 | 11,0 | 10,1 | 11,3 | 11,5 | 10,8 | 9,8  | 8,7  |      |      |
| 34,0 |             |       |       |       |                   | 10,4 | 9,7  | 9,5  | 10,4 | 10,2 | 9,6  | 8,7  | 7,5  |      |      |
| 36,0 |             |       |       |       |                   |      | 9,3  | 8,6  | 8,9  | 9,5  | 9,0  | 8,5  | 7,6  | 6,5  |      |
| 38,0 |             |       |       |       |                   |      | 8,7  | 7,5  | 8,4  | 8,4  | 8,0  | 7,5  | 6,7  | 5,6  |      |
| 40,0 |             |       |       |       |                   |      |      | 7,0  | 7,9  | 7,5  | 7,1  | 6,5  | 5,9  | 4,8  |      |
| 42,0 |             |       |       |       |                   |      |      | 6,6  | 7,1  | 6,7  | 6,2  | 5,7  | 5,0  | 4,1  |      |
| 44,0 |             |       |       |       |                   |      |      |      | 6,4  | 5,9  | 5,5  | 4,9  | 4,2  | 3,4  |      |
| 46,0 |             |       |       |       |                   |      |      |      |      | 5,7  | 5,2  | 4,8  | 4,2  | 3,5  | 2,7  |
| 48,0 |             |       |       |       |                   |      |      |      |      | 5,1  | 4,6  | 4,1  | 3,5  | 2,9  | 2,0  |
| 50,0 |             |       |       |       |                   |      |      |      |      |      | 4,0  | 3,5  | 3,0  | 2,3  | 1,5  |
| 52,0 |             |       |       |       |                   |      |      |      |      |      |      | 3,5  | 3,0  | 2,4  |      |
| 54,0 |             |       |       |       |                   |      |      |      |      |      |      |      | 3,0  | 2,5  | 1,9  |
| 56,0 |             |       |       |       |                   |      |      |      |      |      |      |      |      | 2,1  | 1,5  |
| 58,0 |             |       |       |       |                   |      |      |      |      |      |      |      |      | 1,7  |      |

| m    | 15,6 - 80,0 |       |       |       | Grove GMK 6300L-1 |      |      |      | 360° | EN   | 8,5m | 54,5 t |      |      |      |      |      |     |     |     |     |     |
|------|-------------|-------|-------|-------|-------------------|------|------|------|------|------|------|--------|------|------|------|------|------|-----|-----|-----|-----|-----|
|      | 15,6        | 20,9  | 26,2  | 31,5  | 36,8              | 42,1 | 47,3 | 52,8 |      |      |      |        | 58,4 | 63,8 | 69,3 | 74,7 | 80,0 |     |     |     |     |     |
| 6,0  | 121,0       | 120,0 | 118,0 | 109,0 | 82,0              |      |      |      |      |      |      |        |      |      |      |      |      |     |     |     |     |     |
| 8,0  | 95,5        | 96,0  | 95,5  | 93,0  | 82,0              | 65,0 | 54,0 |      |      |      |      |        |      |      |      |      |      |     |     |     |     |     |
| 10,0 | 76,5        | 77,5  | 74,5  | 71,5  | 67,0              | 65,0 | 51,5 | 42,0 | 32,5 |      |      |        |      |      |      |      |      |     |     |     |     |     |
| 12,0 | 58,5        | 61,0  | 60,0  | 56,5  | 56,0              | 52,0 | 49,0 | 41,0 | 32,5 | 25,5 | 20,5 |        |      |      |      |      |      |     |     |     |     |     |
| 14,0 |             | 47,0  | 47,5  | 47,0  | 45,5              | 42,5 | 38,0 | 32,5 | 25,5 | 20,5 | 20,5 | 16,6   | 14,0 |      |      |      |      |     |     |     |     |     |
| 16,0 |             |       | 38,0  | 38,0  | 39,5              | 38,0 | 38,5 | 35,5 | 33,0 | 31,0 | 25,5 | 20,5   | 16,6 | 14,0 |      |      |      |     |     |     |     |     |
| 18,0 |             |       |       | 32,5  | 32,5              | 32,0 | 33,0 | 30,5 | 28,0 | 27,0 | 25,5 | 20,5   | 16,6 | 14,0 |      |      |      |     |     |     |     |     |
| 20,0 |             |       |       |       | 27,5              | 27,5 | 29,0 | 28,0 | 26,0 | 24,0 | 23,0 | 22,5   | 20,5 | 16,6 | 14,0 |      |      |     |     |     |     |     |
| 22,0 |             |       |       |       |                   | 23,0 | 23,5 | 24,5 | 24,0 | 22,5 | 22,0 | 20,0   | 19,7 | 19,7 | 16,6 | 14,0 |      |     |     |     |     |     |
| 24,0 |             |       |       |       |                   |      | 21,5 | 21,5 | 20,5 | 19,5 | 20,5 | 17,8   | 17,1 | 17,2 | 16,6 | 14,0 |      |     |     |     |     |     |
| 26,0 |             |       |       |       |                   |      |      | 18,9 | 18,6 | 17,9 | 18,2 | 17,9   | 16,7 | 14,9 | 15,0 | 13,3 | 14,0 |     |     |     |     |     |
| 28,0 |             |       |       |       |                   |      | 16,6 | 16,4 | 15,8 | 16,7 | 15,6 | 15,7   | 13,7 | 14,1 | 14,3 | 13,8 |      |     |     |     |     |     |
| 30,0 |             |       |       |       |                   |      |      | 14,4 | 15,0 | 14,8 | 13,7 | 14,3   | 12,9 | 13,3 | 13,4 | 12,2 |      |     |     |     |     |     |
| 32,0 |             |       |       |       |                   |      |      |      | 12,9 | 13,8 | 13,1 | 12,0   | 12,7 | 12,2 | 12,7 | 12,0 | 10,9 |     |     |     |     |     |
| 34,0 |             |       |       |       |                   |      |      |      |      | 12,4 | 11,7 | 10,6   | 11,2 | 11,4 | 11,4 | 10,8 | 9,7  |     |     |     |     |     |
| 36,0 |             |       |       |       |                   |      |      |      |      |      | 11,1 | 10,4   | 9,4  | 10,0 | 10,6 | 10,3 | 9,7  | 8,6 |     |     |     |     |
| 38,0 |             |       |       |       |                   |      |      |      |      |      |      | 10,0   | 9,3  | 8,4  | 9,3  | 9,7  | 9,3  | 8,7 | 7,6 |     |     |     |
| 40,0 |             |       |       |       |                   |      |      |      |      |      |      |        | 8,3  | 7,9  | 8,7  | 8,7  | 8,3  | 7,7 | 6,7 |     |     |     |
| 42,0 |             |       |       |       |                   |      |      |      |      |      |      |        |      | 7,4  | 7,5  | 8,1  | 7,8  | 7,4 | 6,8 | 5,9 |     |     |
| 44,0 |             |       |       |       |                   |      |      |      |      |      |      |        |      |      | 7,1  | 7,3  | 7,0  | 6,6 | 6,0 | 5,1 |     |     |
| 46,0 |             |       |       |       |                   |      |      |      |      |      |      |        |      |      |      | 6,7  | 6,7  | 6,3 | 5,8 | 5,2 | 4,4 |     |
| 48,0 |             |       |       |       |                   |      |      |      |      |      |      |        |      |      |      | 6,4  | 6,1  | 5,7 | 5,2 | 4,5 | 3,7 |     |
| 50,0 |             |       |       |       |                   |      |      |      |      |      |      |        |      |      |      |      | 5,5  | 5,1 | 4,5 | 3,8 | 3,0 |     |
| 52,0 |             |       |       |       |                   |      |      |      |      |      |      |        |      |      |      |      |      | 4,9 | 4,5 | 3,9 | 3,2 | 2,4 |
| 54,0 |             |       |       |       |                   |      |      |      |      |      |      |        |      |      |      |      |      | 4,4 | 4,0 | 3,4 | 2,7 | 1,9 |
| 56,0 |             |       |       |       |                   |      |      |      |      |      |      |        |      |      |      |      |      |     | 3,5 | 2,9 | 2,2 | 1,4 |
| 58,0 |             |       |       |       |                   |      |      |      |      |      |      |        |      |      |      |      |      |     |     | 3,0 | 2,4 | 1,7 |
| 60,0 |             |       |       |       |                   |      |      |      |      |      |      |        |      |      |      |      |      |     |     |     | 2,0 | 1,3 |
| 62,0 |             |       |       |       |                   |      |      |      |      |      |      |        |      |      |      |      |      |     |     |     | 1,6 |     |
| 64,0 |             |       |       |       |                   |      |      |      |      |      |      |        |      |      |      |      |      |     |     |     | 1,2 |     |

| m    | 15,6 - 80,0 |      |      | Grove GMK 6300L-1 |      |      | 360° | EN   | 8,5m | 74,5 t |      |      |      |
|------|-------------|------|------|-------------------|------|------|------|------|------|--------|------|------|------|
|      | 15,6        | 20,9 | 26,2 | 31,5              | 36,8 | 42,1 | 47,3 | 52,8 | 58,4 | 63,8   | 69,3 | 74,7 | 80,0 |
| 8,0  | 98,5        | 99,0 | 98,5 | 98,5              | 82,0 | 65,0 | 54,0 |      |      |        |      |      |      |
| 10,0 | 80,5        | 81,0 | 80,5 | 80,5              | 76,5 | 65,0 | 51,5 | 42,0 | 32,5 |        |      |      |      |
| 12,0 | 62,0        | 68,0 | 67,5 | 67,5              | 66,5 | 59,0 | 49,0 | 41,0 | 32,5 | 25,5   | 20,5 |      |      |
| 14,0 |             | 57,5 | 57,0 | 57,0              | 54,5 | 53,5 | 46,0 | 38,0 | 32,5 | 25,5   | 20,5 | 16,6 | 14,0 |
| 16,0 |             | 47,5 | 48,0 | 48,0              | 45,5 | 45,5 | 43,0 | 34,5 | 31,0 | 25,5   | 20,5 | 16,6 | 14,0 |
| 18,0 |             |      | 40,0 | 40,0              | 39,5 | 39,0 | 39,0 | 31,0 | 28,5 | 25,5   | 20,5 | 16,6 | 14,0 |
| 20,0 |             |      | 33,5 | 34,0              | 34,5 | 33,5 | 34,0 | 28,0 | 26,0 | 24,0   | 20,5 | 16,6 | 14,0 |
| 22,0 |             |      | 28,5 | 30,0              | 29,5 | 29,5 | 29,5 | 25,5 | 24,0 | 22,0   | 19,8 | 16,6 | 14,0 |
| 24,0 |             |      |      | 26,0              | 25,5 | 27,0 | 25,5 | 23,0 | 21,5 | 20,5   | 18,7 | 16,6 | 14,0 |
| 26,0 |             |      |      | 23,0              | 23,0 | 23,5 | 22,5 | 20,5 | 19,6 | 18,8   | 17,6 | 16,1 | 14,0 |
| 28,0 |             |      |      | 19,5              | 21,5 | 21,0 | 19,8 | 18,8 | 17,9 | 17,3   | 16,5 | 15,2 | 14,0 |
| 30,0 |             |      |      |                   | 19,3 | 18,6 | 17,5 | 17,6 | 16,3 | 15,8   | 15,4 | 14,4 | 13,6 |
| 32,0 |             |      |      |                   | 17,3 | 16,6 | 15,6 | 16,5 | 14,3 | 14,5   | 14,3 | 13,6 | 12,9 |
| 34,0 |             |      |      |                   |      | 14,9 | 14,9 | 14,8 | 13,4 | 12,8   | 13,2 | 12,8 | 12,2 |
| 36,0 |             |      |      |                   |      | 13,4 | 14,3 | 13,3 | 12,7 | 11,3   | 11,8 | 12,0 | 11,6 |
| 38,0 |             |      |      |                   |      | 12,7 | 13,0 | 12,0 | 12,1 | 10,2   | 10,6 | 11,0 | 10,8 |
| 40,0 |             |      |      |                   |      |      | 11,8 | 10,8 | 11,4 | 9,5    | 9,9  | 9,8  | 10,1 |
| 42,0 |             |      |      |                   |      |      | 10,8 | 9,7  | 10,3 | 9,1    | 9,4  | 8,9  | 9,3  |
| 44,0 |             |      |      |                   |      |      |      | 8,8  | 9,3  | 8,6    | 8,9  | 8,3  | 8,4  |
| 46,0 |             |      |      |                   |      |      |      | 7,9  | 8,5  | 8,2    | 8,4  | 7,8  | 7,5  |
| 48,0 |             |      |      |                   |      |      |      | 7,1  | 7,7  | 7,8    | 7,8  | 7,4  | 6,7  |
| 50,0 |             |      |      |                   |      |      |      |      | 7,0  | 7,1    | 7,1  | 6,7  | 6,0  |
| 52,0 |             |      |      |                   |      |      |      |      | 6,5  | 6,5    | 6,4  | 6,1  | 5,3  |
| 54,0 |             |      |      |                   |      |      |      |      |      | 6,3    | 6,2  | 5,8  | 4,7  |
| 56,0 |             |      |      |                   |      |      |      |      |      |        | 5,9  | 5,3  | 4,9  |
| 58,0 |             |      |      |                   |      |      |      |      |      |        | 5,5  | 4,8  | 4,4  |
| 60,0 |             |      |      |                   |      |      |      |      |      |        |      | 4,4  | 3,9  |
| 64,0 |             |      |      |                   |      |      |      |      |      |        |      | 3,9  | 3,1  |
| 66,0 |             |      |      |                   |      |      |      |      |      |        |      | 3,6  | 2,2  |
| 68,0 |             |      |      |                   |      |      |      |      |      |        |      |      | 2,6  |
| 70,0 |             |      |      |                   |      |      |      |      |      |        |      |      | 1,8  |
| 72,0 |             |      |      |                   |      |      |      |      |      |        |      |      | 1,4  |
| 74,0 |             |      |      |                   |      |      |      |      |      |        |      |      | 1,9  |
| 76,0 |             |      |      |                   |      |      |      |      |      |        |      |      | 1,9  |
| 78,0 |             |      |      |                   |      |      |      |      |      |        |      |      | 1,9  |
| 80,0 |             |      |      |                   |      |      |      |      |      |        |      |      | 1,9  |

| m    | 15,6 - 80,0 |       |       | Grove GMK 6300L-1 |      |      | 360° | EN   | 8,5m | 92,5 t |      |      |      |
|------|-------------|-------|-------|-------------------|------|------|------|------|------|--------|------|------|------|
|      | 15,6        | 20,9  | 26,2  | 31,5              | 36,8 | 42,1 | 47,3 | 52,8 | 58,4 | 63,8   | 69,3 | 74,7 | 80,0 |
| 6,0  | 127,0       | 126,0 | 118,0 | 109,0             | 82,0 |      |      |      |      |        |      |      |      |
| 8,0  | 101,0       | 102,0 | 99,0  | 95,0              | 82,0 | 65,0 | 54,0 |      |      |        |      |      |      |
| 10,0 | 83,0        | 83,5  | 83,0  | 82,0              | 76,5 | 65,0 | 51,5 | 42,0 | 32,5 |        |      |      |      |
| 12,0 | 62,0        | 70,0  | 69,5  | 69,0              | 68,5 | 59,0 | 49,0 | 41,0 | 32,5 | 25,5   | 20,5 |      |      |
| 14,0 |             | 60,0  | 59,5  | 58,5              | 59,5 | 53,5 | 46,0 | 38,0 | 32,5 | 25,5   | 20,5 | 16,6 | 14,0 |
| 16,0 |             | 50,5  | 51,5  | 50,5              | 52,0 | 48,5 | 43,0 | 34,5 | 31,0 | 25,5   | 20,5 | 16,6 | 14,0 |
| 18,0 |             |       | 45,0  | 44,0              | 45,5 | 44,0 | 39,5 | 31,0 | 28,5 | 25,5   | 20,5 | 16,6 | 14,0 |
| 20,0 |             |       | 40,5  | 39,5              | 39,0 | 40,0 | 37,0 | 28,0 | 26,0 | 24,0   | 20,5 | 16,6 | 14,0 |
| 22,0 |             |       | 31,0  | 34,5              | 33,5 | 34,5 | 34,5 | 25,5 | 24,0 | 22,0   | 19,8 | 16,6 | 14,0 |
| 24,0 |             |       |       | 30,0              | 29,5 | 30,0 | 31,5 | 23,0 | 21,5 | 20,5   | 18,7 | 16,6 | 14,0 |
| 26,0 |             |       |       | 26,5              | 27,5 | 26,5 | 27,5 | 20,5 | 19,6 | 18,8   | 17,6 | 16,1 | 14,0 |
| 28,0 |             |       |       | 19,5              | 24,5 | 24,0 | 24,5 | 18,9 | 17,9 | 17,3   | 16,5 | 15,2 | 14,0 |
| 30,0 |             |       |       |                   | 21,5 | 22,5 | 22,0 | 17,6 | 16,3 | 15,8   | 15,4 | 14,4 | 13,6 |
| 32,0 |             |       |       |                   | 18,9 | 20,5 | 19,5 | 16,8 | 14,9 | 14,5   | 14,3 | 13,6 | 12,9 |
| 34,0 |             |       |       |                   |      | 18,6 | 17,5 | 16,1 | 13,7 | 13,3   | 13,2 | 12,8 | 12,2 |
| 36,0 |             |       |       |                   |      | 16,9 | 15,8 | 15,4 | 12,7 | 12,2   | 12,1 | 12,0 | 11,6 |
| 38,0 |             |       |       |                   |      | 13,0 | 14,3 | 14,8 | 12,1 | 11,1   | 11,1 | 11,0 | 10,8 |
| 40,0 |             |       |       |                   |      |      | 13,2 | 13,9 | 11,6 | 10,0   | 10,0 | 10,1 | 10,1 |
| 42,0 |             |       |       |                   |      |      | 12,9 | 12,7 | 11,0 | 9,2    | 9,4  | 9,4  | 9,5  |
| 44,0 |             |       |       |                   |      |      |      | 11,6 | 10,4 | 8,6    | 8,9  | 8,7  | 8,9  |
| 46,0 |             |       |       |                   |      |      |      | 10,6 | 9,9  | 8,2    | 8,4  | 8,0  | 8,3  |
| 48,0 |             |       |       |                   |      |      |      | 8,5  | 9,5  | 7,8    | 8,0  | 7,4  | 7,8  |
| 50,0 |             |       |       |                   |      |      |      |      | 9,1  | 7,5    | 7,6  | 6,9  | 7,2  |
| 52,0 |             |       |       |                   |      |      |      |      | 8,7  | 7,2    | 7,2  | 6,5  | 6,7  |
| 54,0 |             |       |       |                   |      |      |      |      | 6,3  | 6,9    | 6,8  | 6,1  | 6,2  |
| 60,0 |             |       |       |                   |      |      |      |      |      |        | 5,9  | 5,1  | 4,9  |
| 62,0 |             |       |       |                   |      |      |      |      |      |        |      | 5,7  | 4,8  |
| 64,0 |             |       |       |                   |      |      |      |      |      |        | 4,2  | 4,5  | 4,1  |
| 68,0 |             |       |       |                   |      |      |      |      |      |        |      | 4,0  | 3,3  |
| 70,0 |             |       |       |                   |      |      |      |      |      |        |      | 2,0  | 2,9  |
| 72,0 |             |       |       |                   |      |      |      |      |      |        |      |      | 2,5  |

| m    | Grove GMK 6300L-1 |           |            |        |           |            |        |           |            |        |           |            |
|------|-------------------|-----------|------------|--------|-----------|------------|--------|-----------|------------|--------|-----------|------------|
|      | 74,8              |           |            | 80,0   |           |            | 74,8   |           |            | 80,0   |           |            |
|      | + 12,0            |           |            | + 12,0 |           |            | + 21,0 |           |            | + 21,0 |           |            |
|      | 5°                | 5°<br>20° | 20°<br>40° | 5°     | 5°<br>20° | 20°<br>40° | 5°     | 5°<br>20° | 20°<br>40° | 5°     | 5°<br>20° | 20°<br>40° |
| 16,0 | 8,4               |           |            |        |           |            |        |           |            |        |           |            |
| 18,0 | 8,4               |           |            | 6,8    |           |            |        |           |            |        |           |            |
| 20,0 | 8,4               | 8,2       |            | 6,8    |           |            | 5,0    |           |            |        |           |            |
| 22,0 | 8,4               | 8,2       | 7,8        | 6,8    | 6,7       | 6,7        | 5,0    |           |            | 4,3    |           |            |
| 24,0 | 8,4               | 8,2       | 7,7        | 6,8    | 6,7       | 6,7        | 5,0    | 5,0       |            | 4,3    |           |            |
| 26,0 | 8,4               | 8,2       | 7,6        | 6,8    | 6,7       | 6,7        | 5,0    | 5,0       |            | 4,3    | 4,3       |            |
| 28,0 | 8,4               | 8,2       | 7,6        | 6,8    | 6,7       | 6,7        | 5,0    | 5,0       |            | 4,3    | 4,3       |            |
| 30,0 | 8,4               | 8,2       | 7,5        | 6,8    | 6,7       | 6,7        | 5,0    | 4,9       | 4,1        | 4,3    | 4,3       |            |
| 32,0 | 7,9               | 7,9       | 7,4        | 6,8    | 6,7       | 6,7        | 5,0    | 4,8       | 4,1        | 4,3    | 4,3       | 4,0        |
| 34,0 | 7,9               | 7,7       | 7,3        | 6,8    | 6,7       | 6,7        | 5,0    | 4,7       | 4,0        | 4,3    | 4,3       | 4,0        |
| 36,0 | 7,1               | 7,1       | 7,0        | 6,1    | 6,1       | 6,7        | 5,0    | 4,6       | 4,0        | 4,3    | 4,3       | 3,9        |
| 38,0 | 6,3               | 6,3       | 6,8        | 5,2    | 5,2       | 5,8        | 5,0    | 4,6       | 3,9        | 4,3    | 4,3       | 3,9        |
| 40,0 | 5,5               | 5,5       | 5,9        | 4,5    | 4,5       | 5,0        | 5,0    | 4,5       | 3,9        | 4,3    | 4,3       | 3,9        |
| 42,0 | 4,8               | 4,8       | 5,2        | 3,7    | 3,7       | 4,2        | 4,8    | 4,3       | 3,9        | 4,3    | 4,3       | 3,8        |
| 44,0 | 4,1               | 4,1       | 4,5        | 3,1    | 3,1       | 3,5        | 4,8    | 4,3       | 3,8        | 3,9    | 3,9       | 3,8        |
| 46,0 | 3,5               | 3,5       | 3,9        | 2,5    | 2,5       | 2,9        | 4,2    | 4,2       | 3,8        | 2,7    | 3,3       | 3,8        |
| 48,0 | 2,9               | 2,9       | 3,3        | 1,9    | 1,9       | 2,3        | 3,6    | 3,6       | 3,7        | 2,2    | 2,7       | 3,5        |
| 50,0 | 2,3               | 2,3       | 2,7        | 1,4    | 1,4       | 1,8        | 3,1    | 3,1       | 3,7        | 1,7    | 2,2       | 2,9        |
| 52,0 | 1,8               | 1,8       | 2,1        | 1,0    | 1,0       | 1,3        | 2,7    | 2,7       | 3,3        | 1,3    | 1,7       | 2,4        |
| 54,0 | 1,3               | 1,3       | 1,6        |        |           |            | 2,2    | 2,2       | 2,8        | 0,9    | 1,3       | 1,9        |
| 56,0 |                   |           | 1,1        |        |           |            | 1,7    | 1,7       | 2,3        |        | 0,9       | 1,5        |
| 58,0 |                   |           |            |        |           |            | 1,3    | 1,3       | 1,9        |        |           | 1,1        |
| 60,0 |                   |           |            |        |           |            | 0,9    | 0,9       | 1,4        |        |           |            |
| 62,0 |                   |           |            |        |           |            |        |           | 1,0        |        |           |            |

| m    | Grove GMK 6300L-1 |           |            |        |           |            |        |           |            |        |           |            |
|------|-------------------|-----------|------------|--------|-----------|------------|--------|-----------|------------|--------|-----------|------------|
|      | 74,8              |           |            | 80,0   |           |            | 74,8   |           |            | 80,0   |           |            |
|      | + 12,0            |           |            | + 12,0 |           |            | + 21,0 |           |            | + 21,0 |           |            |
|      | 5°                | 5°<br>20° | 20°<br>40° | 5°     | 5°<br>20° | 20°<br>40° | 5°     | 5°<br>20° | 20°<br>40° | 5°     | 5°<br>20° | 20°<br>40° |
| 16,0 | 8,4               |           |            |        |           |            |        |           |            |        |           |            |
| 18,0 | 8,4               |           |            | 6,8    |           |            |        |           |            |        |           |            |
| 20,0 | 8,4               | 8,2       |            | 6,8    |           |            | 5,0    |           |            |        |           |            |
| 22,0 | 8,4               | 8,2       | 7,8        | 6,8    | 6,7       | 6,7        | 5,0    |           |            | 4,3    |           |            |
| 24,0 | 8,4               | 8,2       | 7,7        | 6,8    | 6,7       | 6,7        | 5,0    | 5,0       |            | 4,3    |           |            |
| 26,0 | 8,4               | 8,2       | 7,6        | 6,8    | 6,7       | 6,7        | 5,0    | 5,0       |            | 4,3    | 4,3       |            |
| 28,0 | 8,4               | 8,2       | 7,6        | 6,8    | 6,7       | 6,7        | 5,0    | 5,0       |            | 4,3    | 4,3       |            |
| 30,0 | 8,4               | 8,2       | 7,5        | 6,8    | 6,7       | 6,7        | 5,0    | 4,9       | 4,1        | 4,3    | 4,3       |            |
| 32,0 | 7,9               | 7,9       | 7,4        | 6,8    | 6,7       | 6,7        | 5,0    | 4,8       | 4,1        | 4,3    | 4,3       | 4,0        |
| 34,0 | 7,9               | 7,7       | 7,3        | 6,8    | 6,7       | 6,7        | 5,0    | 4,7       | 4,0        | 4,3    | 4,3       | 4,0        |
| 36,0 | 7,1               | 7,1       | 7,0        | 6,1    | 6,1       | 6,7        | 5,0    | 4,6       | 4,0        | 4,3    | 4,3       | 3,9        |
| 38,0 | 6,3               | 6,3       | 6,8        | 5,2    | 5,2       | 5,8        | 5,0    | 4,6       | 3,9        | 4,3    | 4,3       | 3,9        |
| 40,0 | 5,5               | 5,5       | 5,9        | 4,5    | 4,5       | 5,0        | 5,0    | 4,5       | 3,9        | 4,3    | 4,3       | 3,9        |
| 42,0 | 4,8               | 4,8       | 5,2        | 3,7    | 3,7       | 4,2        | 4,8    | 4,3       | 3,9        | 4,3    | 4,3       | 3,8        |
| 44,0 | 4,1               | 4,1       | 4,5        | 3,1    | 3,1       | 3,5        | 4,8    | 4,3       | 3,8        | 3,9    | 3,9       | 3,8        |
| 46,0 | 3,5               | 3,5       | 3,9        | 2,5    | 2,5       | 2,9        | 4,2    | 4,2       | 3,8        | 2,7    | 3,3       | 3,8        |
| 48,0 | 2,9               | 2,9       | 3,3        | 1,9    | 1,9       | 2,3        | 3,6    | 3,6       | 3,7        | 2,2    | 2,7       | 3,5        |
| 50,0 | 2,3               | 2,3       | 2,7        | 1,4    | 1,4       | 1,8        | 3,1    | 3,1       | 3,7        | 1,7    | 2,2       | 2,9        |
| 52,0 | 1,8               | 1,8       | 2,1        | 1,0    | 1,0       | 1,3        | 2,7    | 2,7       | 3,3        | 1,3    | 1,7       | 2,4        |
| 54,0 | 1,3               | 1,3       | 1,6        |        |           |            | 2,2    | 2,2       | 2,8        | 0,9    | 1,3       | 1,9        |
| 56,0 |                   |           | 1,1        |        |           |            | 1,7    | 1,7       | 2,3        |        | 0,9       | 1,5        |
| 58,0 |                   |           |            |        |           |            | 1,3    | 1,3       | 1,9        |        |           | 1,1        |
| 60,0 |                   |           |            |        |           |            | 0,9    | 0,9       | 1,4        |        |           |            |
| 62,0 |                   |           |            |        |           |            |        |           | 1,0        |        |           |            |
| 64,0 |                   |           |            |        |           |            |        |           | 1,1        |        |           |            |
| 66,0 |                   |           |            |        |           |            |        |           | 1,1        |        |           |            |
| 68,0 |                   |           |            |        |           |            |        |           | 1,1        |        |           |            |
| 70,0 |                   |           |            |        |           |            |        |           | 1,1        |        |           |            |
| 72,0 |                   |           |            |        |           |            |        |           | 1,1        |        |           |            |
| 74,0 |                   |           |            |        |           |            |        |           | 1,1        |        |           |            |
| 76,0 |                   |           |            |        |           |            |        |           | 1,1        |        |           |            |
| 78,0 |                   |           |            |        |           |            |        |           | 1,1        |        |           |            |
| 80,0 |                   |           |            |        |           |            |        |           | 1,1        |        |           |            |
| 82,0 |                   |           |            |        |           |            |        |           | 1,1        |        |           |            |
| 84,0 |                   |           |            |        |           |            |        |           | 1,1        |        |           |            |
| 86,0 |                   |           |            |        |           |            |        |           | 1,1        |        |           |            |
| 88,0 |                   |           |            |        |           |            |        |           | 1,1        |        |           |            |