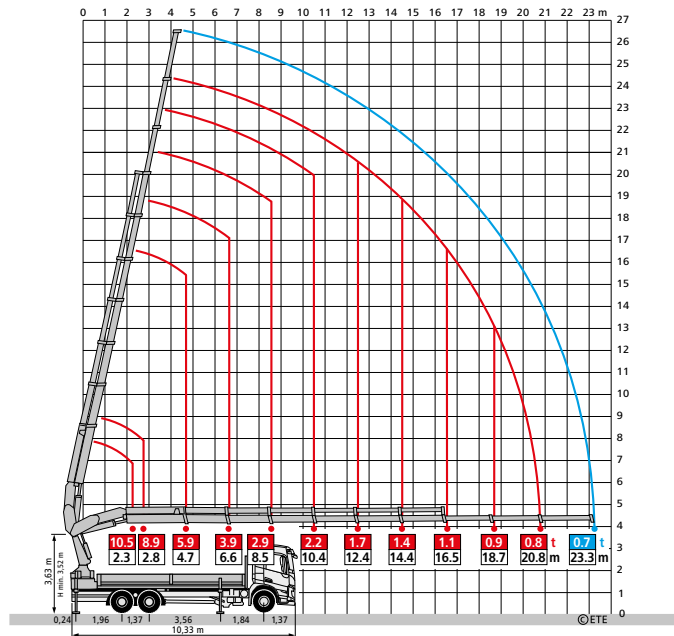


27 mt – Volvo FM500

669

	7,00 x 2,48 x 2,80		26,0 – 18,0 = 8,0 t				
	6,01 x 2,47 x 3,19		14,0 – 4,7 = 9,3 t				
	7,00+6,01 x 2,47 x 2,80/3,19		40,0 – 22,7 = 17,3 t				



27 mt – Volvo FH500 6x2R

395

	6,50 x 2,48 x 2,88		26,0 – 17,3 = 8,7 t				
	6,50+6,30 x 2,48 x 2,88/3,16		40,0 – 21,3 = 18,7 t				

