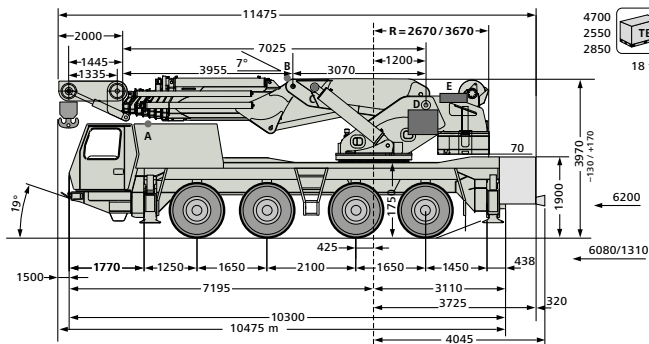


EGGER ESK 75

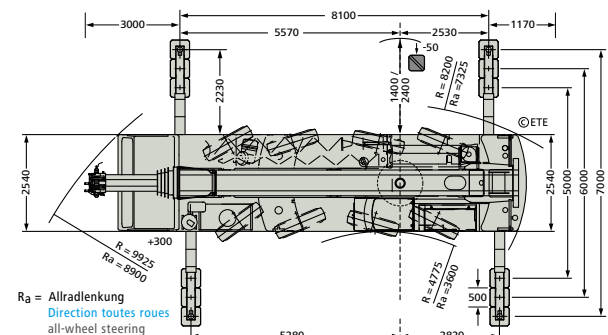
300

max. 31,0 m	4 x 12 t = 48 t	8 x 6	
max. 50,0 m	85 km/h	8 x 8	



abgesenkt:

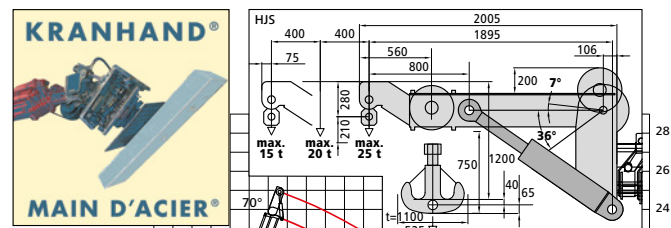
A	B	C	D	E
L 3140/0	gr. Rolle 3800	3570/500	3090/0	3600/100
R 2870/0	ohne Rolle 3730	3570/500		2850/230



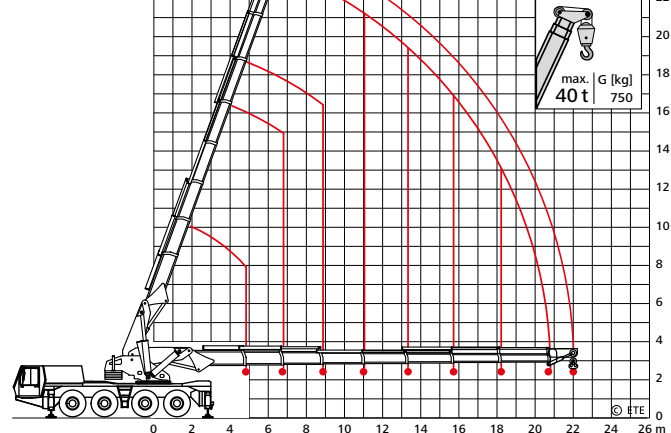
R_a = Allradlenkung
Direction toutes roues
all-wheel steering

Weitere Ausrüstungen auf Anfrage. D'autres équipements sur demande. Further special equipment on request.

		EGGER ESK 75				
--	--	---------------------	--	--	--	--



vgl. 314.4 (ESK 30)



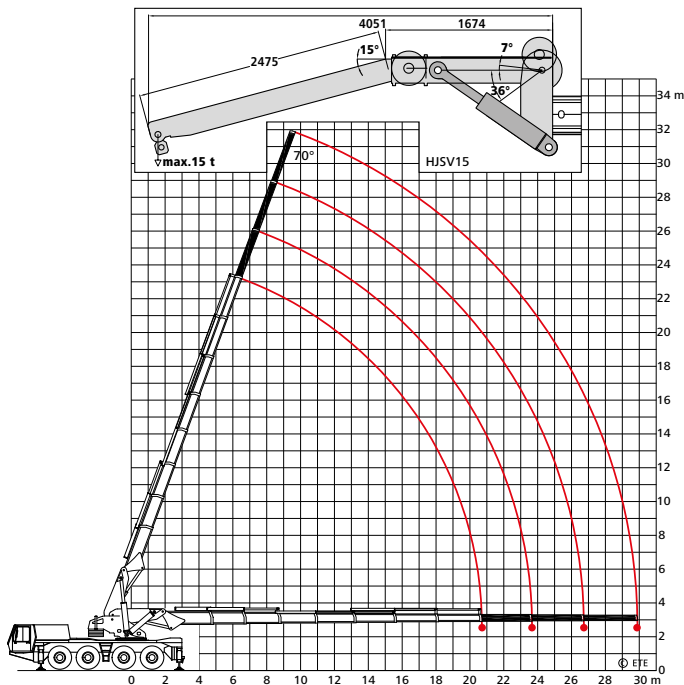
12,5t	R=3,67 m	45.0 4.8	34.6 6.8	23.0 8.8	18.0 11.0	13.0 13.2	11.5 15.5	10.0 18.1	8.0 20.6	7.0 22.0	t
12,5t	R=2,67 m	39.4 4.8	30.3 6.8	20.1 8.8	15.8 11.0	11.4 13.2	10.1 15.5	8.8 18.1	7.0 20.6	6.1 22.0	t
6,25t	R=3,67 m	29.3 4.8	22.5 6.8	15.0 8.8	11.7 11.0	8.5 13.2	7.5 15.5	6.5 18.1	5.2 20.6	4.6 22.0	t



EGGER ESK 75







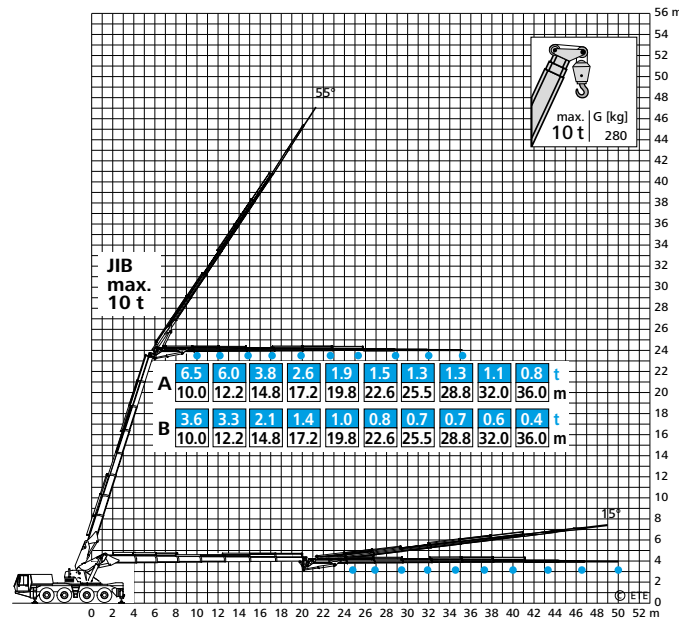
12,5t	R=3,67 m	9.0 20.6	7.2 23.7	5.5 26.6	4.0 t 29.7 m
12,5t	R=2,67 m	7.9 20.6	6.3 23.7	4.8 26.6	3.5 t 29.7 m
6,25t	R=3,67 m	5.9 20.6	4.7 23.7	3.6 26.6	2.6 t 29.7 m



EGGER ESK 75







A	12,5t	R=3,67 m	3.2 24.6	2.5 26.9	2.1 29.4	1.8 31.9	1.5 34.5	1.3 37.3	1.3 40.1	1.1 43.3	0.9 46.6	0.5 t 50.0 m
B	12,5t	R=2,67 m	1.8 24.6	1.4 26.9	1.2 29.4	1.0 31.9	0.8 34.5	0.7 37.3	0.7 40.1	0.6 43.3	0.5 46.6	0.3 t 50.0 m



Emil Egger Romandie SA ☎ FR +41 (0)26 408 96 00 300.5



300.6 Emil Egger AG ☎ DE, EN +41 (0)71 282 52 20